



**TOYOTA**

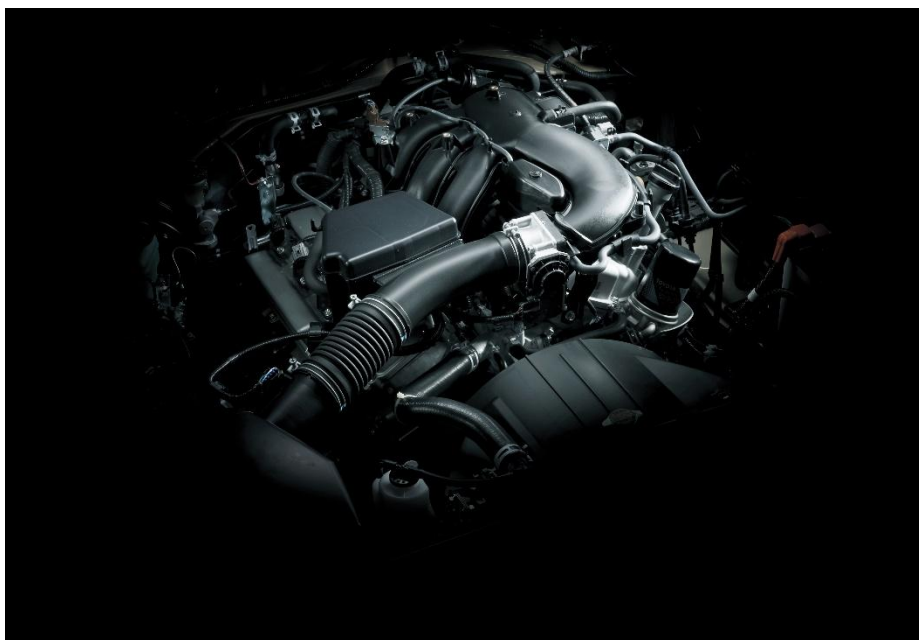
**HILUX** **GR**  
SPORT



**4.0L V6 2026 (GCC SPEC)**

## TECHNICAL

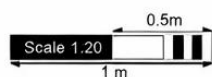
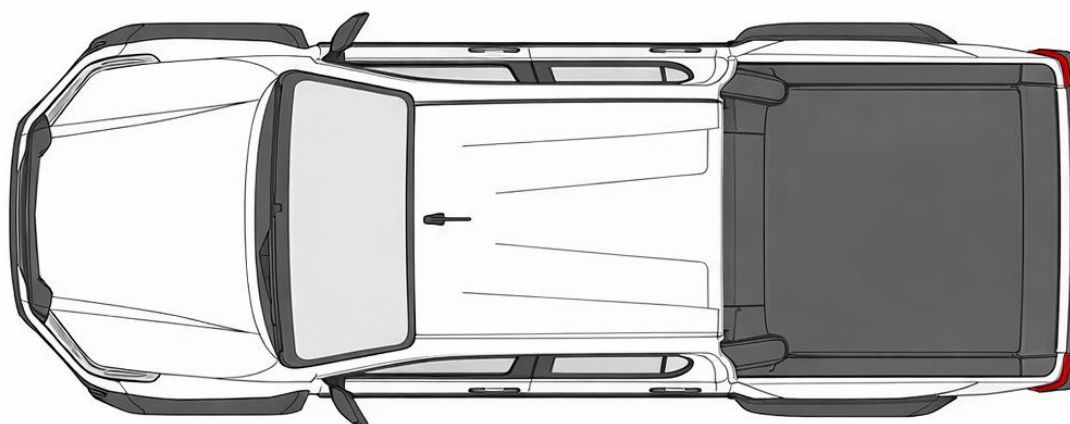
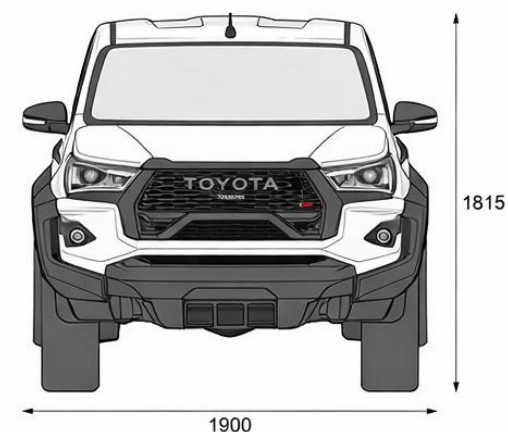
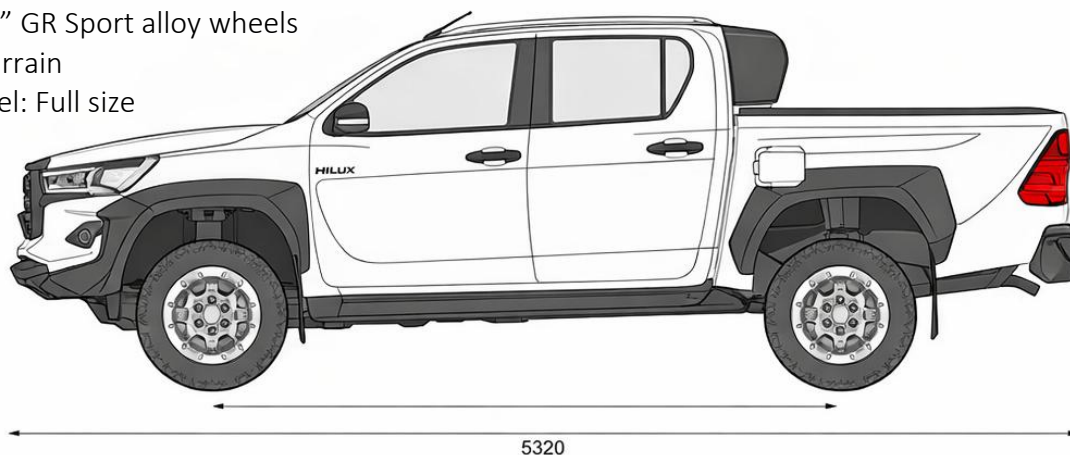
- Engine: 4.0L V6 Petrol (1GR-FE, Dual VVT-i)
- Displacement: 3,956 cc
- Cylinders: 6-cylinder, naturally aspirated
- Power: 235 HP @ 5,200 rpm
- Torque: 376 Nm @ 3,800 rpm
- Transmission: 6-speed automatic (sequential + paddle shifters)
- Drivetrain: Part-time 4WD (selectable)
- Differential: Rear differential lock
- Drive Modes: Eco / Normal / Power
- Suspension: GR Sport tuned monotube shock absorbers
- Steering: Hydraulic power steering
- Fuel Type: Petrol
- Fuel Tank Capacity: 80 Liters
- Fuel Consumption (approx): 7.5 – 9.0 km/L



## Dimensions & Capacity

Body Type: Pickup (Wide Body GR Sport)

- Cab Type: Double Cab
- Seating Capacity: 5 passengers
- Doors: 4
- Wheels: 17" GR Sport alloy wheels
- Tires: All-terrain
- Spare Wheel: Full size



All measurements in millimeters.

## INTERIOR

- Seats: GR Sport leather seats (contrast stitching)
- Driver Seat: Power adjustable
- Steering Wheel: Multifunction GR steering wheel
- Infotainment:
  - 8" touchscreen display
  - Apple CarPlay & Android Auto
- Audio System: Premium multi-speaker system
- Climate Control: Dual-zone automatic AC
- Keyless Entry + Push Start
- Paddle Shifters (sport driving feel)
- 360° Camera / Panoramic view
- USB / Bluetooth connectivity
- Rear View Camera



## EXTERIOR

- GR Sport exclusive front grille (TOYOTA heritage lettering)
- Wide-body kit with over fenders
- GR Sport badging (front / rear / sides)
- LED Headlights with DRL
- LED Fog Lamps (front & rear)
- Sport side steps (heavy-duty)
- Rear sports bar (market dependent)
- Bed liner (factory installed)
- Tailgate with GR branding
- Skid plates (off-road protection)



## SAFETY & OFF-ROAD SYSTEMS

- ABS (Anti-lock Braking System)
- VSC (Vehicle Stability Control)
- TCS (Traction Control System)
- Hill Assist Control
- Rear Differential Lock
- Multiple Airbags (up to 7 airbags)
- Front & Rear Parking Sensors
- Blind Spot Monitor
- Off-road tuned suspension (GR spec)

