



Mercedes-Benz
AMG





Mercedes-Benz

AMG

DOUBLE NIGHT PACKAGE • V8 BITURBO

EXTERIOR COLOR

MANUFAKTUR Monza Grey

INTERIOR CONFIGURATION

Tartufo Brown/Black Exclusive Nappa Leather
w/Diamond Stitching piano lacquer trim elements

ENGINE & PERFORMANCE

Engine: 4.0L AMG V8 Biturbo

Engine Capacity: 3,982 cc

Fuel Type: Petrol

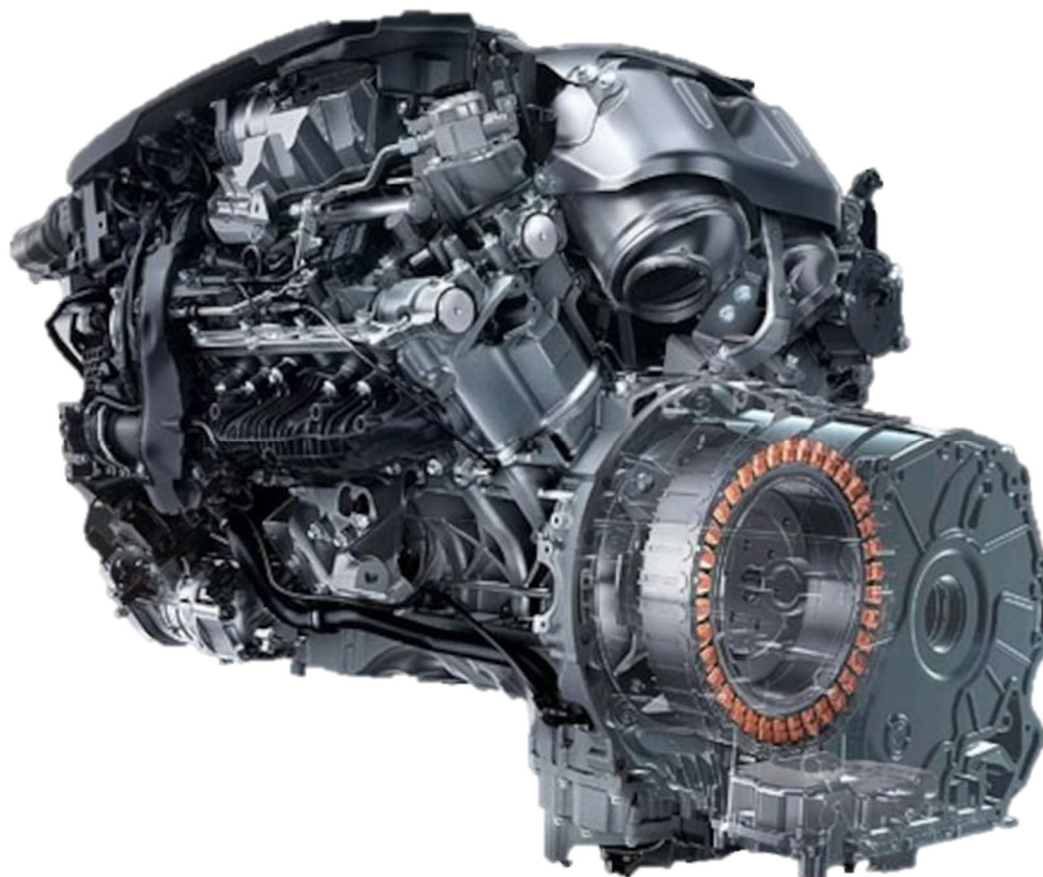
Transmission: AMG SPEEDSHIFT TCT 9-Speed Automatic

Drivetrain: Permanent All-Wheel Drive (4MATIC)

Acceleration (0–100 km/h): 4.4 Seconds

Top Speed: 220 km/h

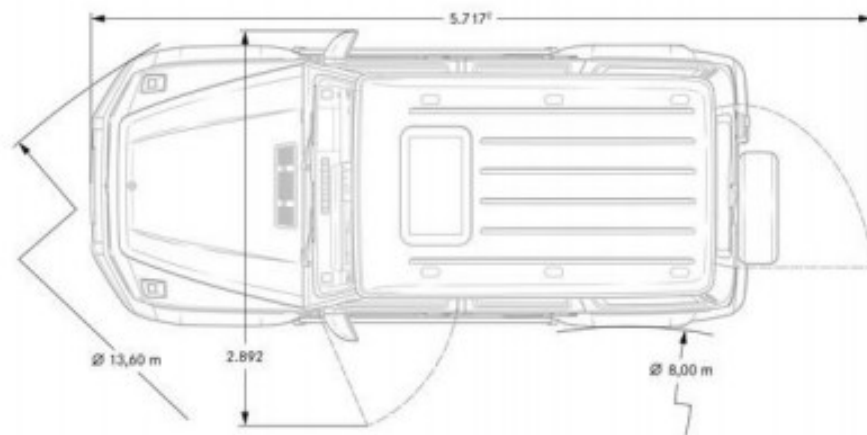
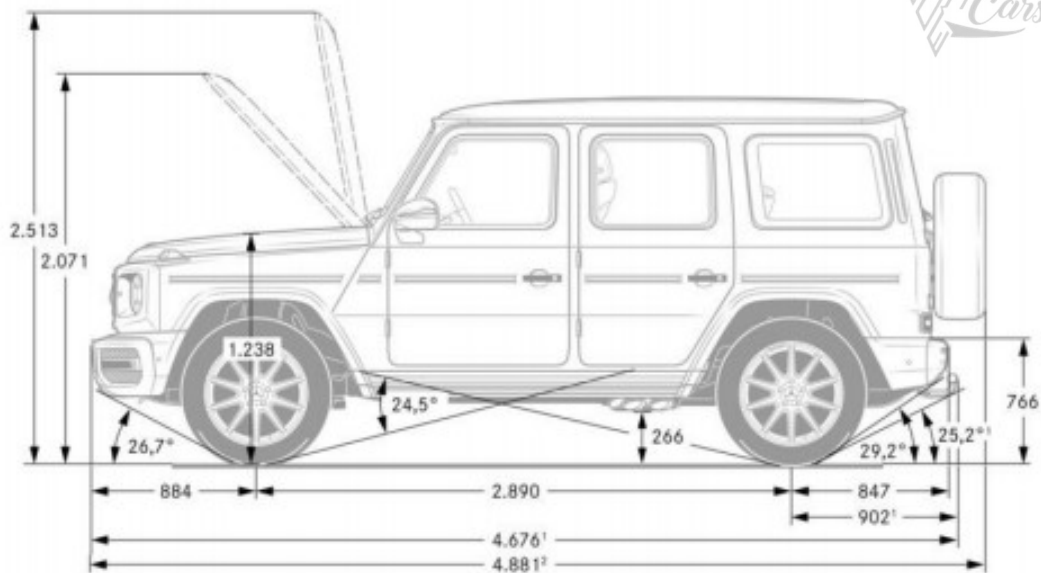
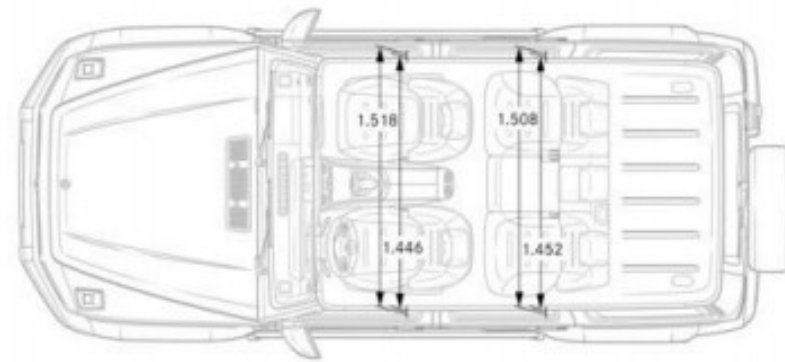
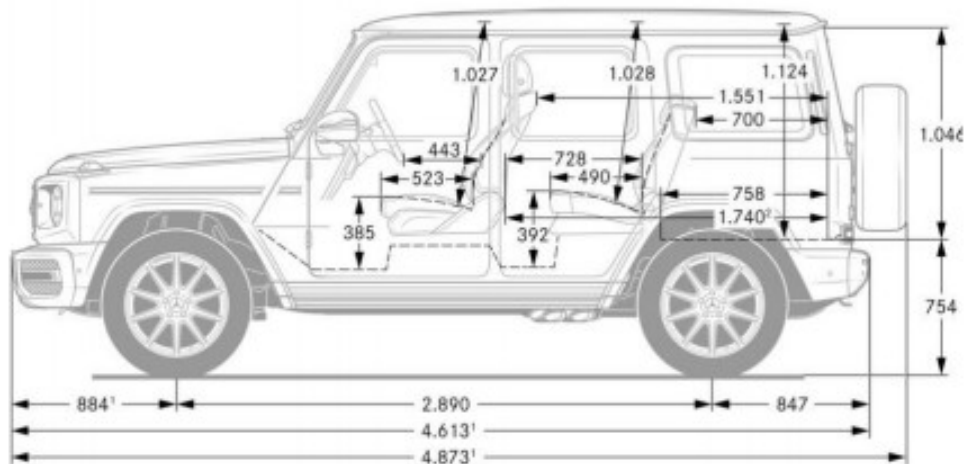
Fuel Tank Capacity: 100L





Mercedes-Benz

AMG





AMG



EXTERIOR – DOUBLE NIGHT PACKAGE

MANUFAKTUR Bespoke Exterior Specification | MANUFAKTUR Monza Grey Exterior Finish | AMG Double Night Package | Gloss Black Exterior Styling Elements

Gloss Black Mercedes-Benz Star | Gloss Black Model Badging | Black Side Protection Strip | MANUFAKTUR Black Side Steps

MANUFAKTUR Spare Wheel Cover in Vehicle Color | AMG Fuel Filler Cap | Sliding Sunroof

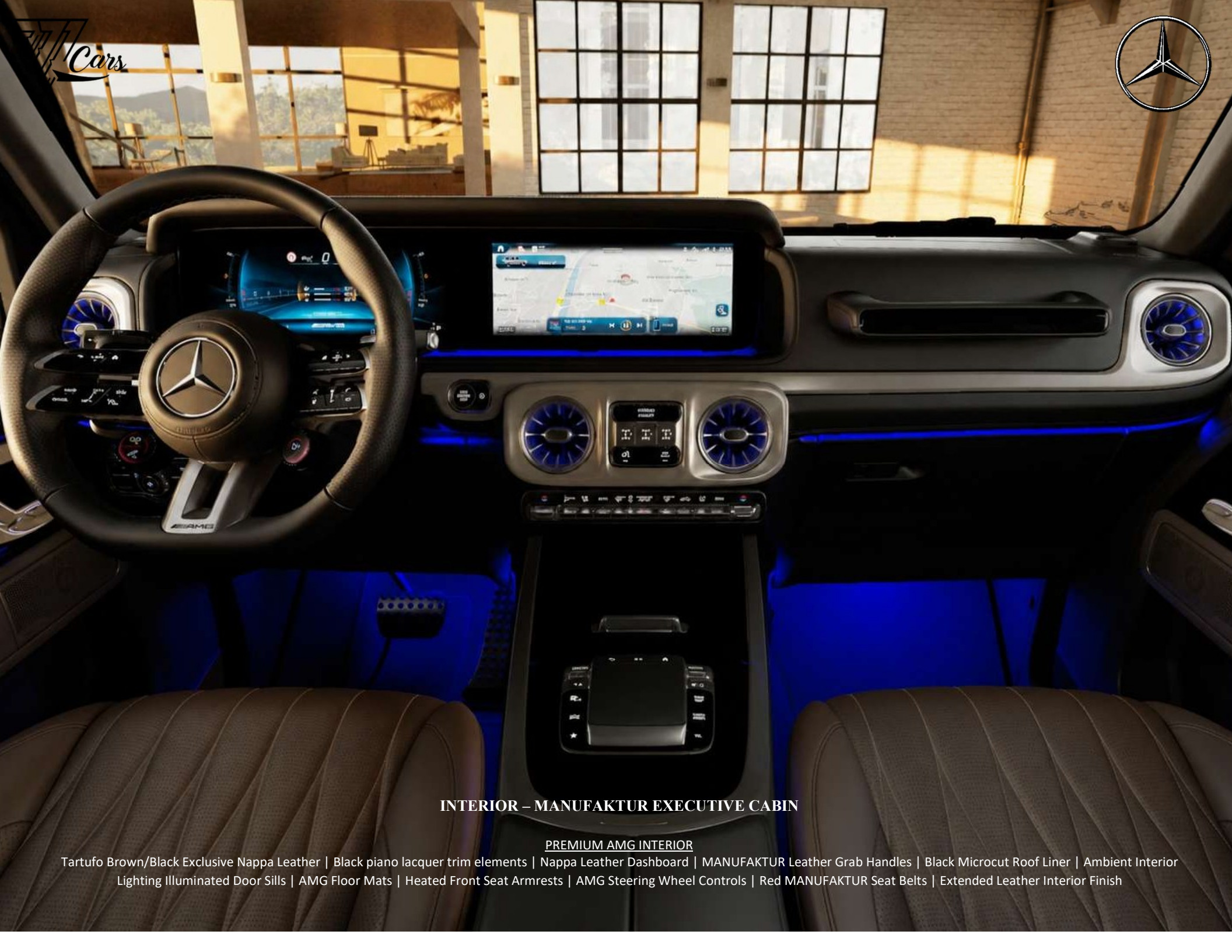
Mirror Projector with MANUFAKTUR Logo | 22-Inch AMG Forged Cross-Spoke Wheels

AMG Performance Exhaust System | Front Bull Bar Protection System | AMG red brake calipers



Mercedes-Benz
AMG





INTERIOR – MANUFAKTUR EXECUTIVE CABIN

PREMIUM AMG INTERIOR

Tartufo Brown/Black Exclusive Nappa Leather | Black piano lacquer trim elements | Nappa Leather Dashboard | MANUFAKTUR Leather Grab Handles | Black Microcut Roof Liner | Ambient Interior Lighting | Illuminated Door Sills | AMG Floor Mats | Heated Front Seat Armrests | AMG Steering Wheel Controls | Red MANUFAKTUR Seat Belts | Extended Leather Interior Finish



Mercedes-Benz
AMG



COMFORT & CONVENIENCE

Electric Sunroof | Navigation System | i-Size Child Seat Attachment System | Smart Cabin Utility Features | Premium Comfort Configuration | Separation Net



Mercedes-Benz AMG



TECHNOLOGY & INFOTAINMENT

Mercedes-Benz Navigation System | Digital Driver Interface | AMG Steering Wheel Buttons | Multimedia & Voice Controls | Advanced Connectivity Features | Premium Audio Environment

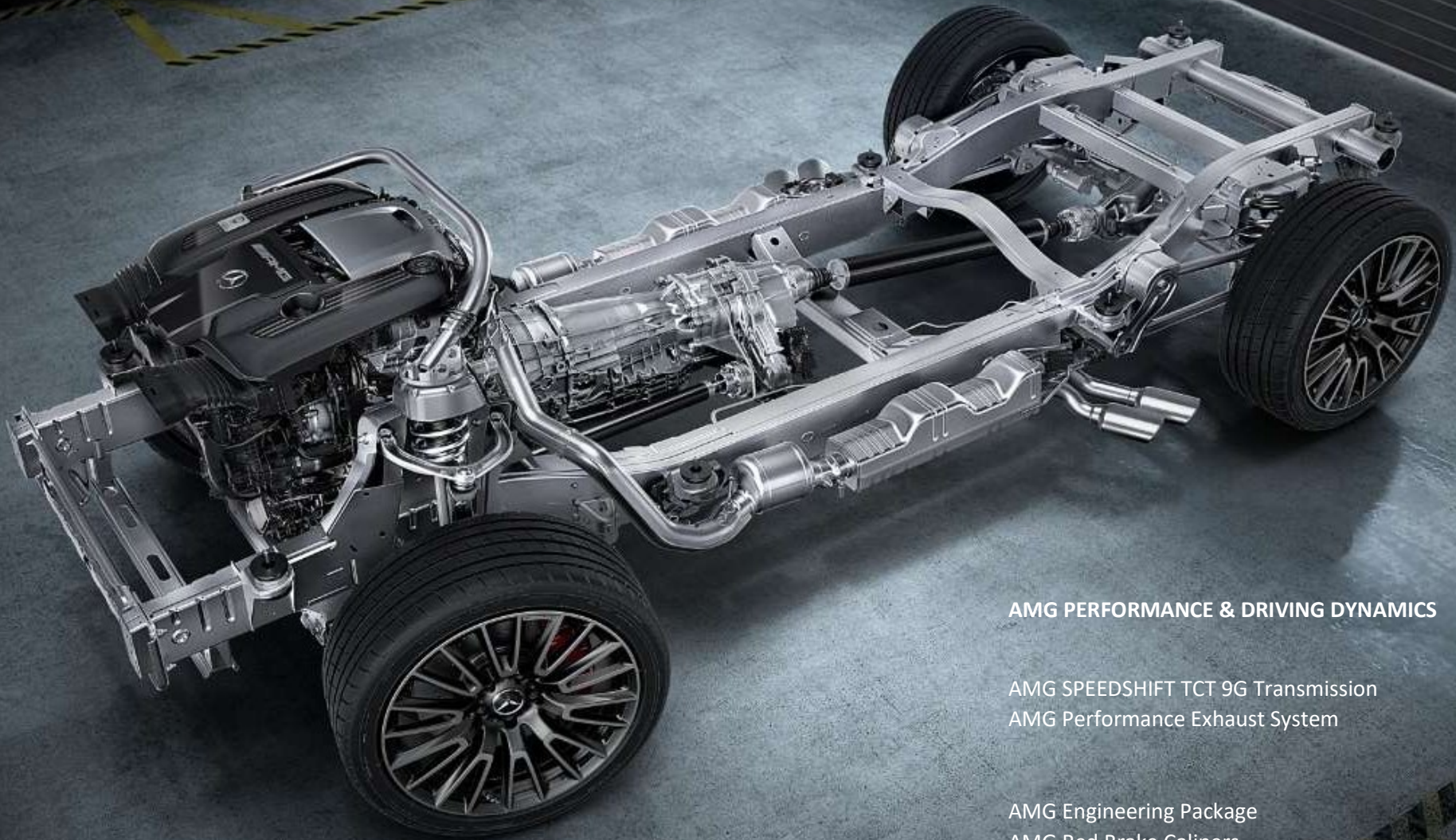
SAFETY & DRIVER ASSIST

Blind Spot Assist | Parking Package with 360° Camera | Active Parking Assistance | Driver Assistance Technologies | Advanced Airbag System | High-Strength G-Class Safety Structure



Mercedes-Benz

AMG



AMG PERFORMANCE & DRIVING DYNAMICS

AMG SPEEDSHIFT TCT 9G Transmission
AMG Performance Exhaust System

AMG Engineering Package
AMG Red Brake Calipers
Adaptive AMG Suspension
Permanent 4MATIC All-Wheel Drive
Triple Differential Lock System
High-Performance Off-Road Capability